

# PRODUCT INFORMATION PACKET

Model No: 5KH33FN85  
Catalog No: HG123  
1/3,3600,TEFC,48,1/60/115  
Totally Enclosed Fan Cooled (TEFC)



Regal and Marathon are trademarks of Regal Beloit Corporation or one of its affiliated companies.  
©2018 Regal Beloit Corporation, All Rights Reserved. MC017097E





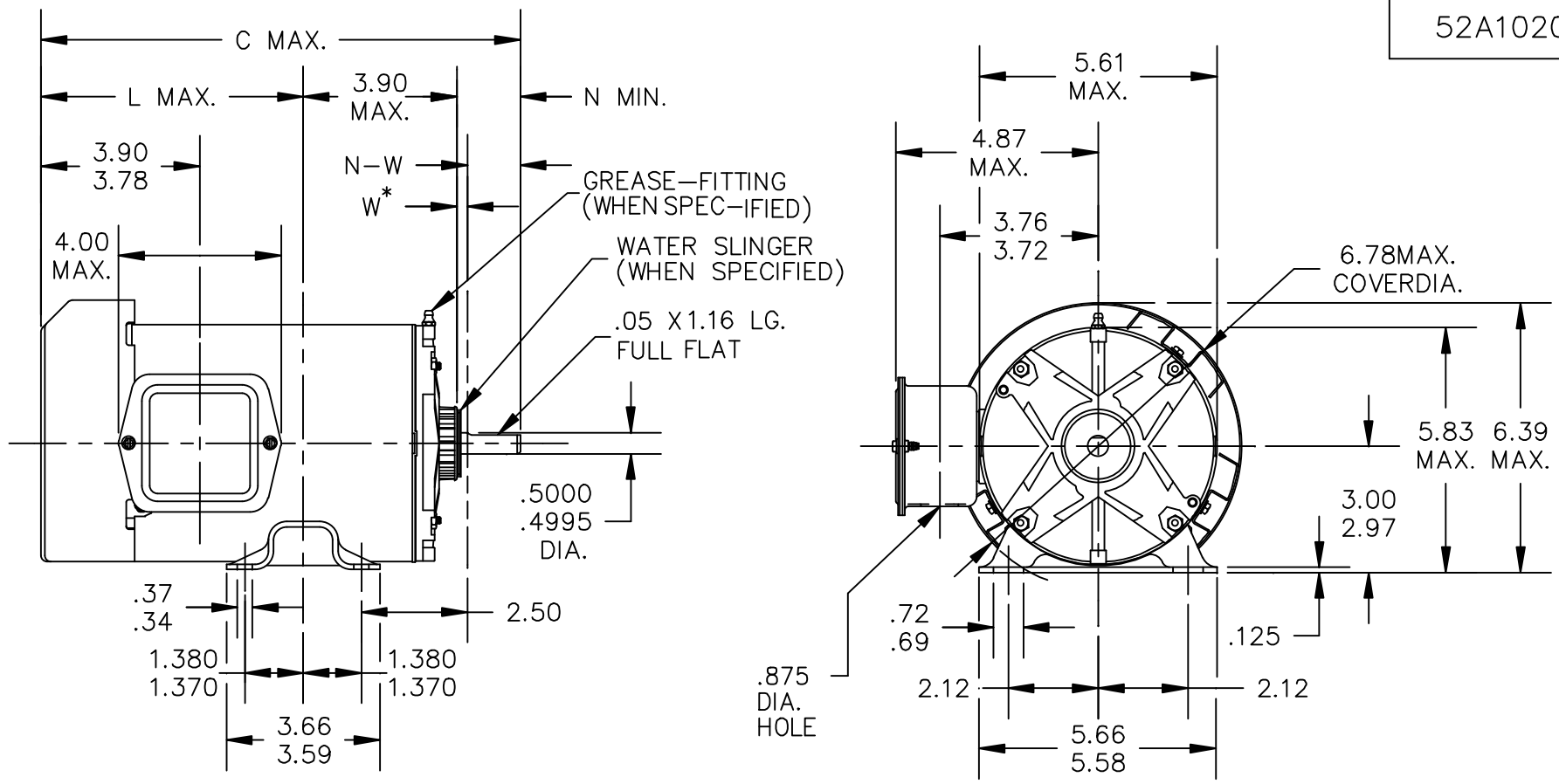
### Nameplate Specifications

Output HP	<b>0.33 Hp</b>	Output KW	<b>0.25 kW</b>
Frequency	<b>60 Hz</b>	Voltage	<b>115 V</b>
Current	<b>6.4 A</b>	Speed	<b>3450 rpm</b>
Service Factor	<b>1</b>	Phase	<b>1</b>
Efficiency	<b>54.7 %</b>	Duty	<b>Continuous</b>
Insulation Class	<b>B</b>	KVA Code	<b>S</b>
Frame	<b>48</b>	Enclosure	<b>Totally Enclosed Fan Cooled</b>
Overload Protector	<b>N/R</b>	Ambient Temperature	<b>40 °C</b>
Drive End Bearing Size	<b>6203</b>	Opp Drive End Bearing Size	<b>6203</b>
UL	<b>Recognized</b>	CSA	<b>Yes</b>
CE	<b>N</b>		

### Technical Specifications


Electrical Type	<b>Split Phase</b>	Starting Method	<b>SM</b>
Poles	<b>2</b>	Rotation	<b>Counterclockwise/Clockwise</b>
Mounting	<b>Rigid base</b>	Motor Orientation	<b>Any</b>
Drive End Bearing	<b>BALL</b>	Opp Drive End Bearing	<b>BALL</b>
Frame Material	<b>Rolled Steel</b>	Overall Length	<b>10.2 in</b>
Frame Length	<b>5.41 in</b>	Shaft Diameter	<b>0.500 in</b>
Shaft Extension	<b>1.5 in</b>		
Outline Drawing	<b>52A102041P2</b>	Connection Diagram	<b>52A105377BA</b>

This is an uncontrolled document once printed or downloaded and is subject to change without notice. Date Created: 07/02/2018



W\* IS A CLEARANCE DUE TO VARIATION IN PARTS AND ASSEMBLY

5	K KH	37	48	11.38	6.00	1.50	1.63/1.41											
4	K KH	36	48	10.98	5.60	1.50	1.63/1.41											
3	K KH	35	48	10.55	5.17	1.50	1.63/1.41	8	K KH	39	48	9.67	4.29	1.50	1.63/1.41	4.91		
2	K KH	33	48	10.17	4.79	1.50	1.63/1.41	7	K KH	32	48Z	10.92	4.54	2.50	2.63/2.41			
1	K KH	32	48	9.92	4.54	1.50	1.63/1.41	6	K KH	38	48	11.98	6.60	1.50	1.63/1.41			
P	TYPE	RBC SIZE	NEMA FR.	C	L	N	N-W	SHELL LGTH.	P	TYPE	RBC SIZE	NEMA FR.	C	L	N	N-W	SHELL LGTH.	

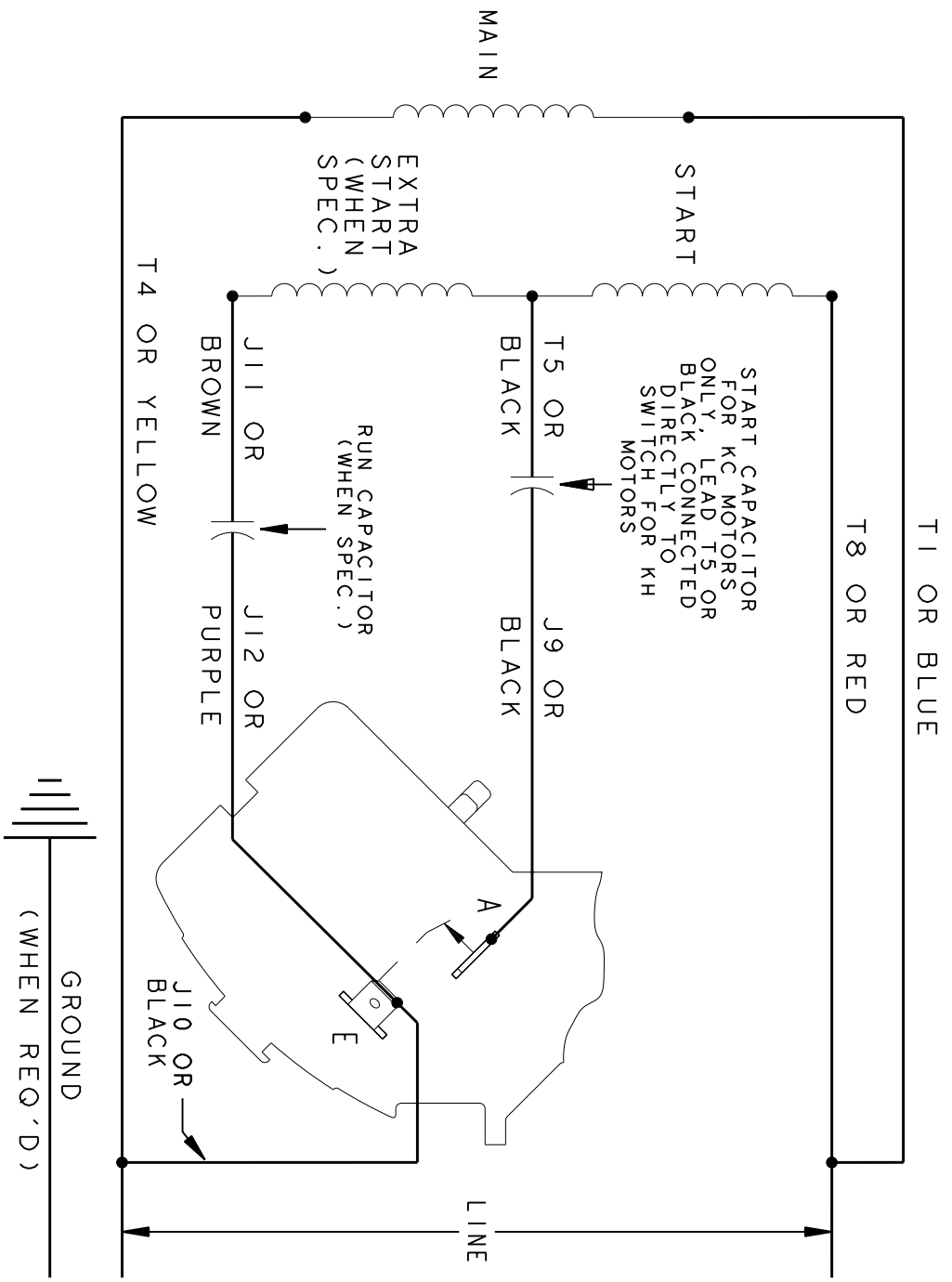
				TOLERANCES UNLESS SPECIFIED		 <b>REGAL-BELOIT CORPORATION</b> TITLE: <b>OUTLINE</b> TOTALLY ENCLOSED OUTBOARD FAN-WELDED BASE										DRAWN F.P.K 12/13/76	
				DEC.	INCHES											CHK	
				.X	±0.1											APPD M.D.P 05/24/96	
				.XX	±0.02											SCALE 1=1	
12	REDRAWN IN DRAFTSIGHT -NO CHANGES			UD 09/08/12	.XXX	±0.005	REF										
11	PER ISAAC 05-2096			RK 09/05/05	.XXXX	±0.0005	FMF										
NO.	REVISION			BY & DATE	CHK	ANG	±1.0	PREV									
THIS DRAWING IN DESIGN AND DETAIL IS OUR PROPERTY AND MUST NOT BE USED EXCEPT IN CONNECTION WITH OUR WORK ALL RIGHTS OF DESIGN AND INVENTION ARE RESERVED THIS IS AN ELECTRONICALLY GENERATED DOCUMENT - DO NOT SCALE THIS PRINT				RFP	CAD FILE			52A102041	SIZE	DRAWING NO.		REV.					
				DIST				A	52A102041		12						



REV.	DESCRIPTION	DATE	APPROVED
6	UPDATED FORMAT	11/11/05	MAM

REVISIONS

CCW/CW ROTATION - SINGLE VOLTAGE  
TYPE KC, KCR OR KH



NOTE #1 - TO REVERSE ROTATION INTERCHANGE BLUE (T1) AND YELLOW (T4) LEADS.  
NOTE #2 - WHEN MORE THAN ONE CAPACITOR IS USED CONNECT IN PARALLEL.

REF. DIAG. - 113A328		SWITCH (C) - 115D958AA	
CONNECTION LABEL - 52X332919			
<b>REGAL-BELOLT CORPORATION</b>			
<b>CONNECTION DIAGRAM</b>			
<b>FME: 30 FRAME SWITCH REDESIGN</b>			
SIGNATURES		DATE	
MODEL	M.D. PAPE	06/29/87	
DETAIL			
CHECKED			
ENGRG			
MFG			
FOR ADDITIONAL INFO REFER TO:	QUALITY		
APPLIED PRACTICES	ISSUED	M.D.P.	01/20/99
DIMENSIONS ARE IN INCHES			
MATERIAL	SOLID MODEL: 52A105377BA	SCALE: 1.000	REF. No.:
		SIZE DRAWING	A
		<b>52A105377BA</b>	
		REV 6 SHEET 1 of 1	